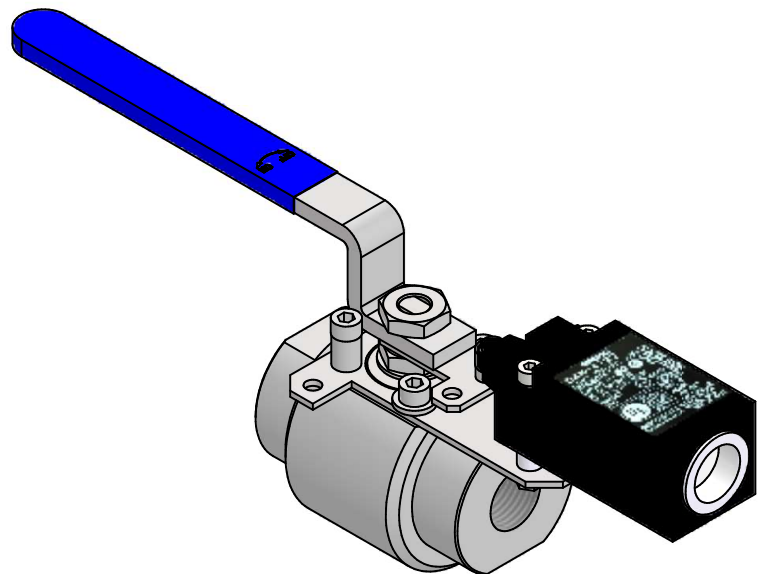
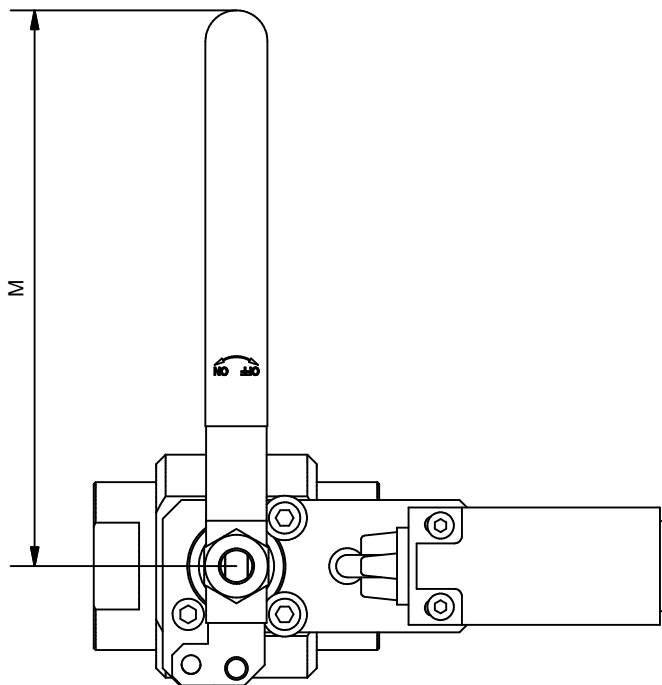
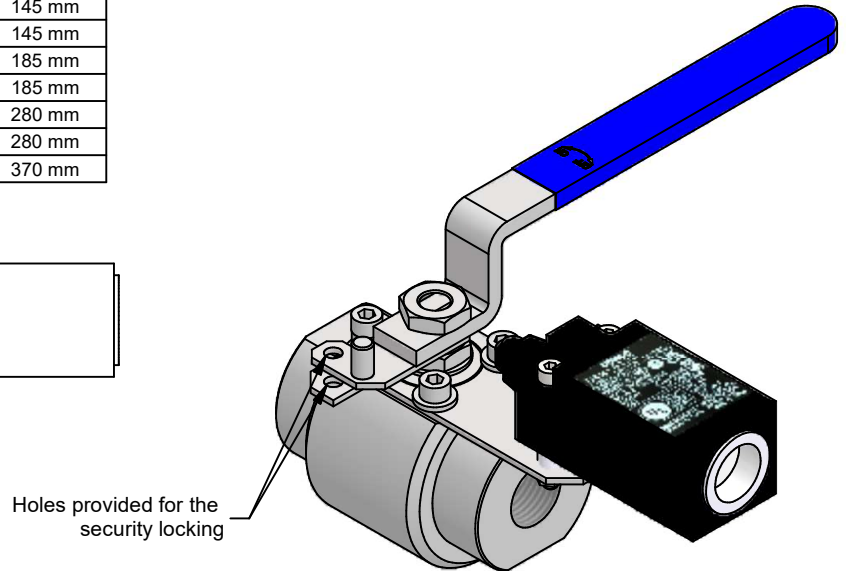
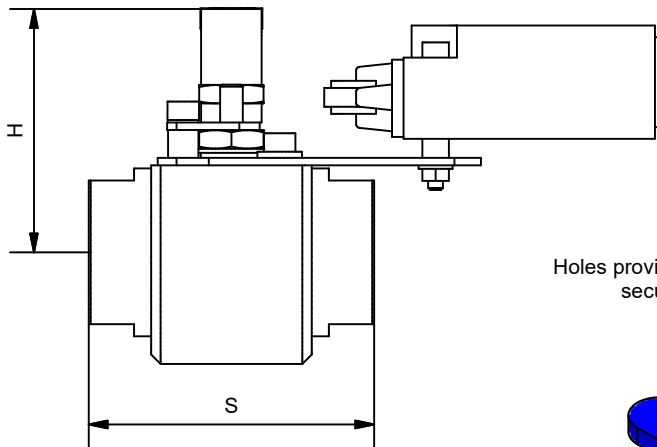


BLOCKING VALVE WITH MONITORING SWITCH

AEX/DMBxF

Reference	Thread	S	H	M
AEX/DMBBPF	Bicone tube 6	140 mm	65 mm	145 mm
AEX/DMB12F	Female NPT 1/2"	75 mm	65 mm	145 mm
AEX/DMB34F	Female NPT 3/4"	80 mm	67 mm	145 mm
AEX/DMB1F	Female NPT 1"	90 mm	83 mm	185 mm
AEX/DMB114F	Female NPT 1 1/4"	110 mm	89 mm	185 mm
AEX/DMB112F	Female NPT 1 1/2"	120 mm	105 mm	280 mm
AEX/DMB2F	Female NPT 2"	140 mm	115 mm	280 mm
AEX/DMB212F	Female NPT 2 1/2"	185 mm	140 mm	370 mm



Specifications	
Valve material	ASTM A 105 / SS. F 316 / LF2
Type of valve	Ball valve 2 ways
AC-15	3A/240VAC
DC-13	0.27A/250VDC
IP rating	IP67
Cable entry (gland or cable gland)	M20
Limitation of use	Indoor
Working pressure	140 bar
Valid for	Inert gas, CO ₂ and chemical agent
Certification	0068-CPR-138 EN 12094-6

Description: Device used to manually block the discharge of extinguishing agent. It has a fully open valve indicator and holes to allow the locking of the lever.

Sheet code:	Solution sheet:	Reference:	Drawn:	Date:	Revised:	Date:	Revision:	Format:
AEX-FTC-02-001	CO ₂	AEX/DMBxF	DCM	21-07-23	ENC	21-07-23	2.1	A4